

AGGREGATI MARMO / VETRO
AGGREGATES MARBLE / GLASS

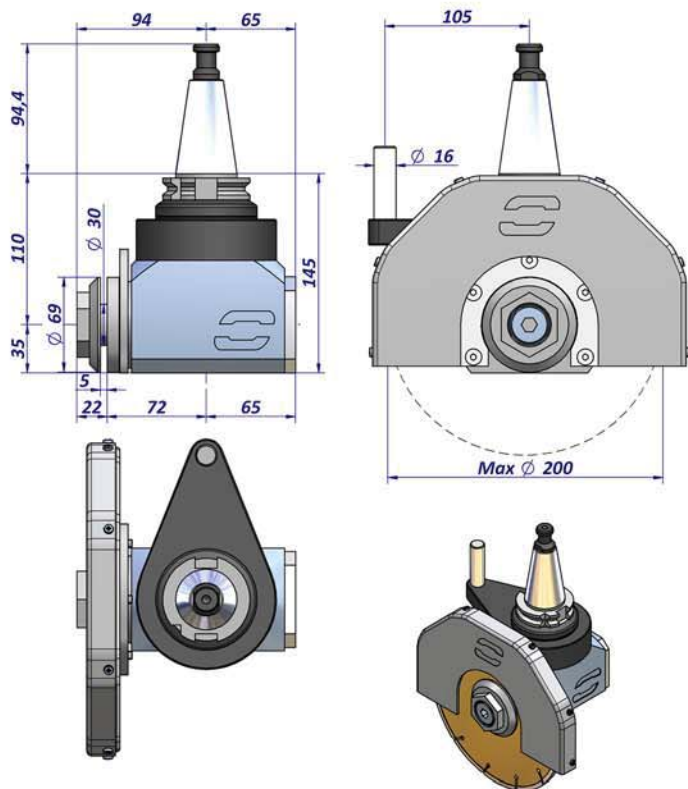
TA



THE E-MOTORS
COMPETENCE LEADER

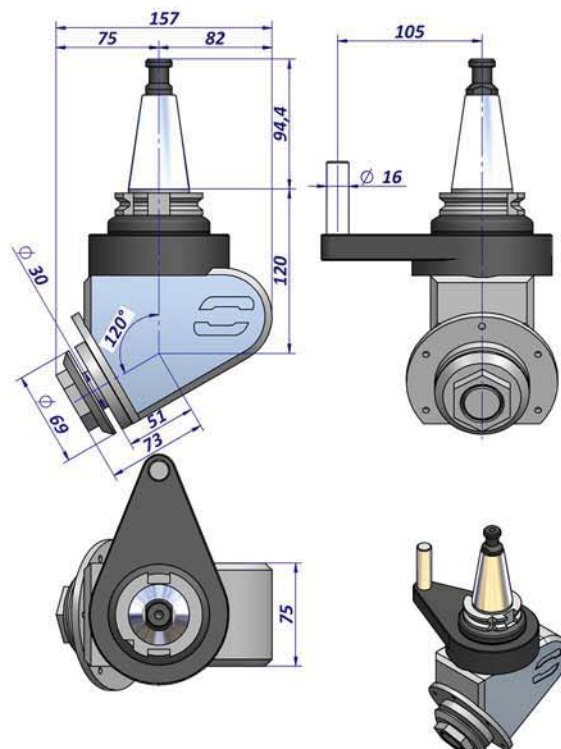
TA-40-DIN-D

RPM OUT MAX 9.000 RATIO 1:1



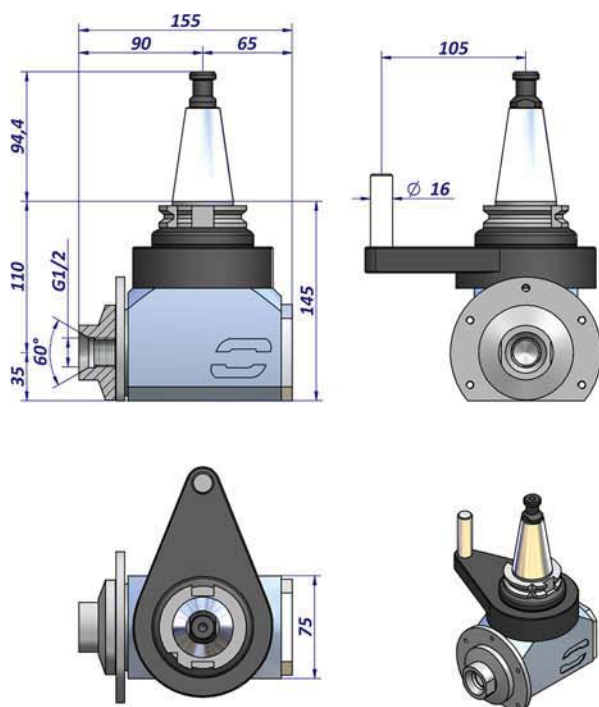
TA-40-DIN-120D

RPM OUT MAX 9.000 RATIO 1:1



TA-40-DIN-12G

RPM OUT MAX 9.000 RATIO 1:1



Caratteristiche tecniche / Technical details
Technische Eigenschaften / Características técnicas

Attacco conico / Conical clamping
Kegelanschluss / Conexión conica **DIN 69871**

Coppia max / Max torque
Drehmoment max / Par max **40 Nm**

Peso / Weight / Gewicht / Peso **8 Kg**

Lubrificazione a vita / Life-long lubrication
Lebenslange Schmierung / Lubrificados para toda la vida

Cuscinetti ad alta precisione / High precision bearings
Lager von Höchster Präzision / Rodamientos de alta precisión

A richiesta / On request
Auf anfrage / A petición

ISO 40 MAS BT / HSK B80



THE E-MOTORS
COMPETENCE LEADER

Saccardo Elettromeccanica S.r.l.
Via Casa Celeste, 10
36014 Santorso VI. ITALY
tel.: +39 0445 540542 - fax: +39 0445540538
www.saccardo.it - info@saccardo.it



CERTIFIED ISO 9001